



## Models 485DRC and 485LDRC Industrial DIN Rail Mounted Optically Isolated RS-232 to RS-422/485 Converters With Surge Suppression

### Introduction

The DIN Rail mountable Models 485DRC and 485LDRC optically isolate and convert unbalanced, full or half-duplex RS-232 signals to optically isolated, balanced, full or half-duplex RS-422 or RS-485 signals at baud rates up to 115.2 kbps. These units also surge suppress the RS-422/485 lines. They feature Send Data Control circuitry so no software control of handshake lines is required in RS-485 mode.

### LEDs

The 485LDRC includes all the above features plus 3 LED's: one indicating RS-485 Transmit Data, one for RS-485 Receive Data, and one for power.

### Description

The 485DRC/485LDRC has screw down terminal blocks on the RS-232 side and the RS-422/RS-485 side. Transmit (TD), Receive (RD) and Ground are supported on the RS-232 side. The unit is powered by a supply voltage of 10 to 30VDC on the RS-232 side, useful where 24VDC is commonly found. Transmit Data A (-), Transmit Data B (+), Receive Data A (-), Receive Data B (+), and Ground are supported on the RS-422/RS-485 side. Communication features on the 485DRC/485LDRC are dipswitch selectable on the unit.

### RS-485 Mode with Send Data Control

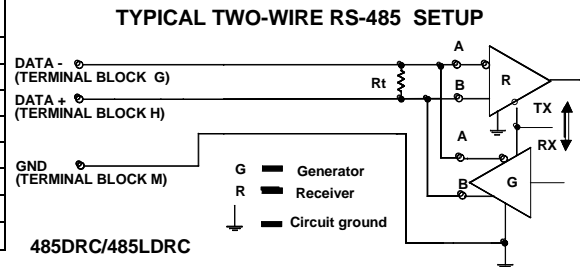
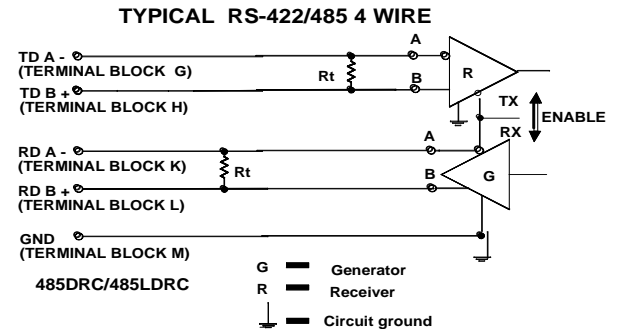
Send Data Control recognizes the first bit of data from the RS-232 side, enables the transmitter and disables the receiver. After the last bit of data is sent from the RS-232 side, the timeout waits one character length, then disables the transmitter and enables the receiver. The timeout can be selected with dipswitches or by changing the value of R11 (see Table 2). If the system requires the line to be "turned around" faster, i.e. the slave device starts responding before the transmitter of the 485DRC/485LDRC is disabled, R11 can be changed to meet the specific baud rate. Termination resistance can be selected with Switch 5 for high baud rates and long cable distances. See B&B Electronics' RS-422/485 Application Note available on the website or by mail. Factory setting: 9600 baud.

Table 1. Typical Communication Setups

	Switch 1 TX Enable	Switch 2 RX Enable	Switch 3 2/4 Wire	Switch 4 2/4 Wire
<b>RS-485 2-Wire Mode</b> (half-duplex)	ON	ON	ON	ON
<b>RS-485 4-Wire Mode</b> (full-duplex)	ON	OFF	OFF	OFF
<b>RS-422 Mode</b> (full-duplex)	OFF	OFF	OFF	OFF

Table 2. Baud Rate Selection

	Switch 6	Switch 7	Switch 8	R11	Time (ms)
<b>1200</b>	OFF	OFF	OFF	820kΩ	8.33
<b>2400</b>	OFF	OFF	ON	Not Used	4.16
<b>4800</b>	OFF	ON	OFF	Not Used	2.08
<b>9600</b>	ON	OFF	OFF	Not Used	1.04
<b>19200</b>	ON	ON	ON	Not Used	.580
<b>38400</b>	OFF	OFF	OFF	27kΩ	.260
<b>57600</b>	OFF	OFF	OFF	16kΩ	.176
<b>115200</b>	OFF	OFF	OFF	8.2kΩ	.0868



In a two-wire setup, switches 3 & 4 should be "ON", making terminal block (G) the Data (-) line and terminal block (H) the Data (+) line.

**Terminal Block Configuration**

**RS-232**

- (D) TD (input)
- (A) RD (output)
- (B) SIG. GND
- (F) +10 to 30VDC
- (C) PWR. GND

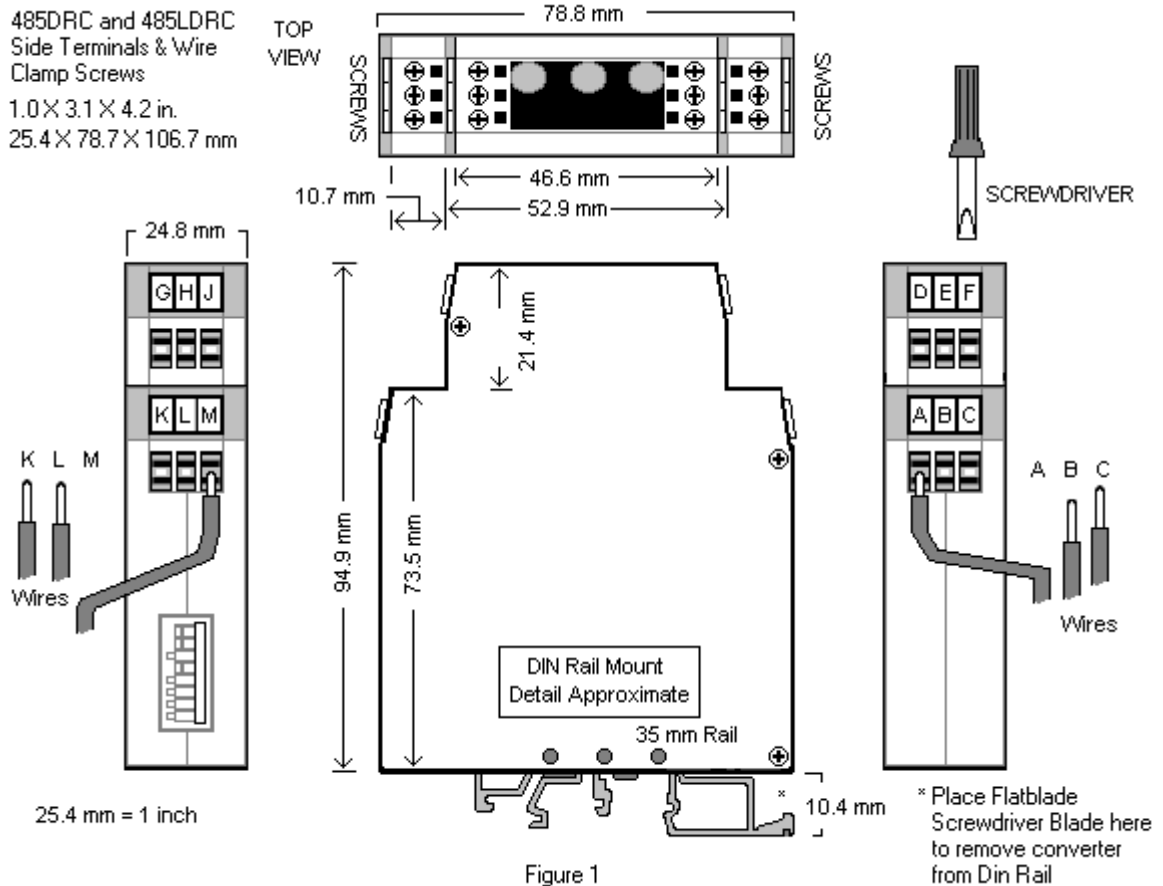
**RS-422/485**

- TDA (G) Tx inverted or (-) (output)
- RDA (K) Rx inverted or (-) (input)
- TDB (H) Tx non-inverted or (+) (output)
- RDB (L) Rx non-inverted or (+) (input)
- ISO. GND (M) Isolated RS-422/485 Signal Ground/Common

**Switch Settings (UP = ON)**

- 1 - Tx Enable (On for 485 mode. Off for 422 mode.)
- 2 - Rx Enable (On for 2-wire 485 mode. Off for 4-wire 485 and 422 mode.)
- 3 - 2/4 Wire (On for 2-wire/half duplex. Off for 4-wire full duplex.)
- 4 - 2/4 Wire (On for 2-wire. Off for 4-wire.)
- 5 - Termination Resistors (On for termination. Off for no termination.)
- 6 - 9600 Baud (On for 9600, Off for others. See Table 2 for additional baud rates.)
- 7 - 4800 Baud (On for 4800, Off for others. See Table 2 for additional baud rates.)
- 8 - 2400 Baud (On for 2400, Off for others. See Table 2 for additional baud rates.)

485DRC and 485LDRC  
 Side Terminals & Wire  
 Clamp Screws  
 1.0 X 3.1 X 4.2 in.  
 25.4 X 78.7 X 106.7 mm



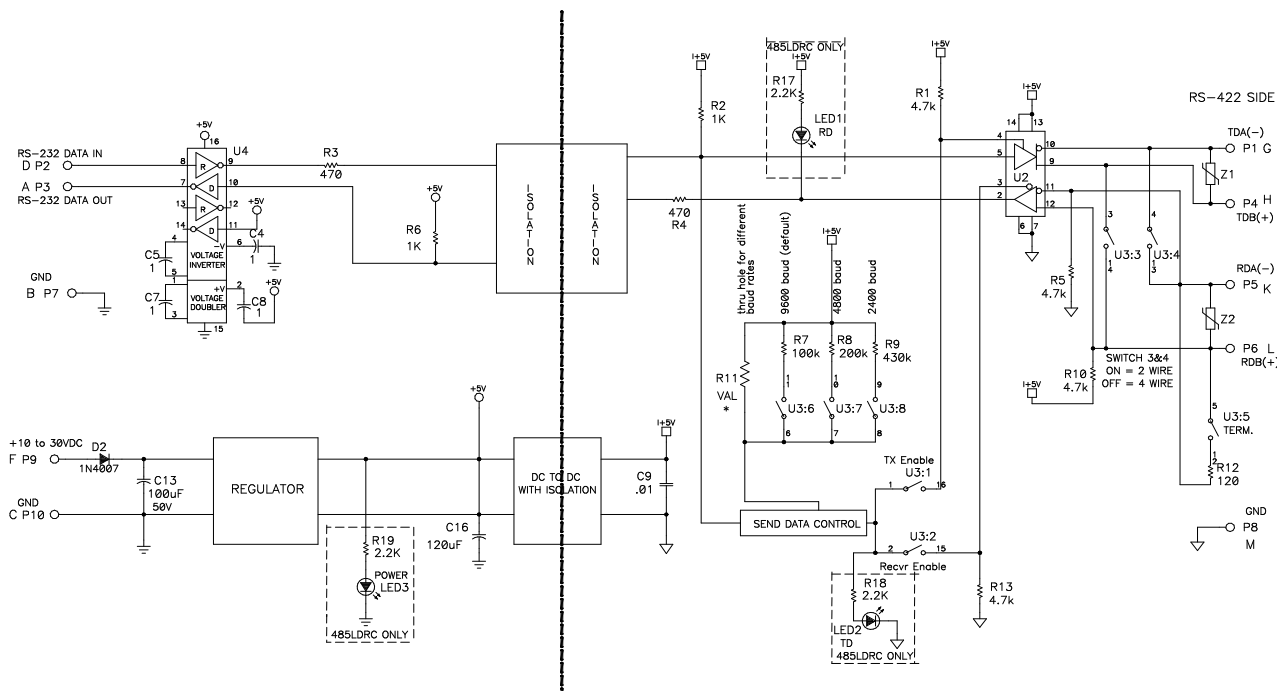
## Removing Converter from DIN Rail


A flat blade screwdriver will be needed when removing the 485DRC / 485LDRC from a 35mm DIN rail.

1. Place a flat blade screwdriver blade in disengage clip on the converter enclosure (See Figure 1).
2. Gently pry on screwdriver handle.
3. Rock enclosure toward you to release it from the DIN rail.

### Specifications

Dimensions: 4.2 x 3.1 x 1.0 in (106.7 x 78.7 x 25.4mm)  
 Temperature Range: -40 to +80°C (-40 to +176°F)  
 Humidity Range: 0 to 95% non-condensing  
 Supply Voltage: +10 to 30VDC @ 100mA  
 +9 to 30 VAC @ 100 mA  
 Data Rates: 1200 to 115.2 kbps  
 2400 to 19200 kbps switch selectable  
 Connectors: Screw down terminal blocks for RS-232 and RS-422/485 sides  
 LED's: (485LDRC only) – Transmit Data, Receive Data and Power  
 Isolation: 2000VAC Optical Isolation of Data Signals and Ground  
 Surge Suppression: 7.5V, bi-directional avalanche breakdown device  
 500W peak power dissipation  
 Clamping time < 1 picosecond (theoretical)



DECLARATION OF CONFORMITY	
Manufacturer's Name:	B&B Electronics Manufacturing Company
Manufacturer's Address:	P.O. Box 1040 707 Dayton Road Ottawa, IL 61350 USA
Model Number:	485DRC and 485LDRC
Description:	RS-485 Converter Optical Isolated DIN Converters
Type:	Light industrial ITE equipment
Application of Council Directive:	89/336/EEC
Standards:	EN 55022 EN 61000-6-1 EN 61000 (-4-2, -4-3, -4-4, -4-5, -4-6, -4-8, -4-11)
 Robert M. Paratore, Director of Engineering	
